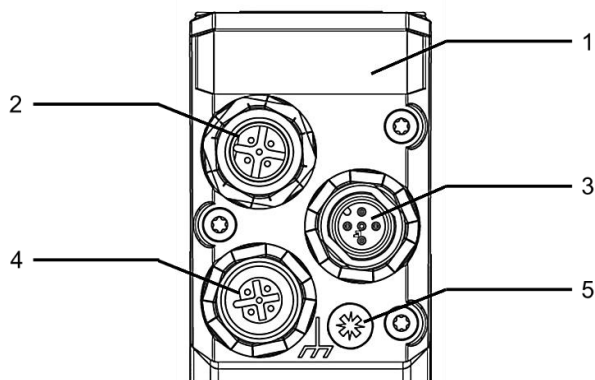


Electrical connectors

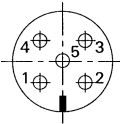
Description of electrical connectors for PSD4xx with CANopen interface



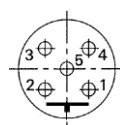
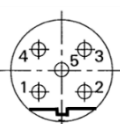
- 1 Sealing plug (for address switches, DIP switches and LEDs)
- 2 M12 male connector for bus (B-coded).
- 3 M12 male connector for power supply (A-coded).
- 4 M12 female connector for bus (B-coded).
- 5 Grounding connection

Pin assignment

Connection for power supply

| Connector diagram (External top view) | Assignment | Cable connectors |
|--|--|----------------------|
| Connector (male):  | <ol style="list-style-type: none"> 1. +24V motor 2. GND (motor) 3. +24V control unit 4. GND (control unit) 5. Housing | M12; 5-pin (A-coded) |

Connection for bus

| Connector diagram (External top view) | Assignment | Cable connectors |
|--|---|----------------------|
| Connector (female):  | <ol style="list-style-type: none"> 1. Housing 2. Not assigned 3. CAN_GND 4. CAN_H 5. CAN_L | M12; 5-pin (B-coded) |
| Connector (male):  | | |

! **Note:** Due to the use of 5-pin connectors, only 5-wire cables should be used.

Optional accessories

IP protection classes IP54 and IP65 protection are guaranteed.

| Accessory | | Order no. |
|--|---|-----------|
| Power supply connector + data bus connector (2x) |  | 9601.0060 |